

**DRAIN FORM** 3m long, heavy duty UPVC.  
with 20 slots ( 23 x 130 ) into pipe.

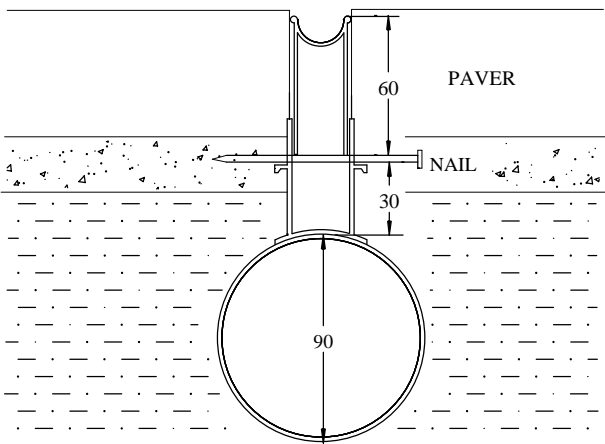
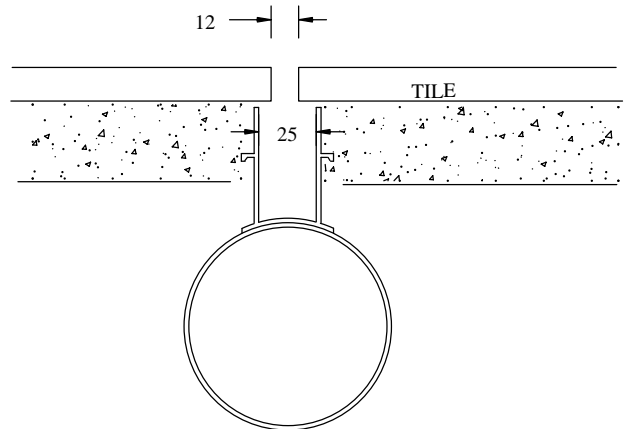
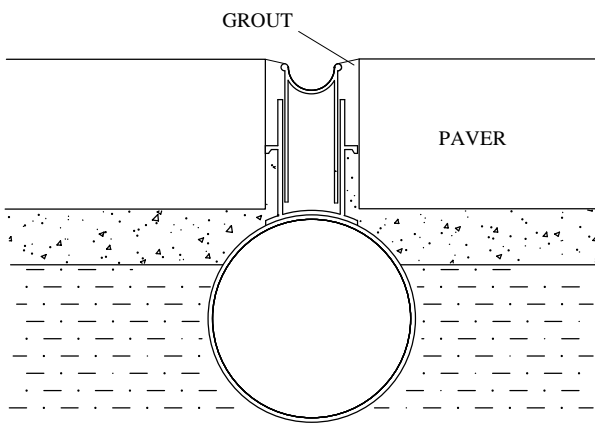
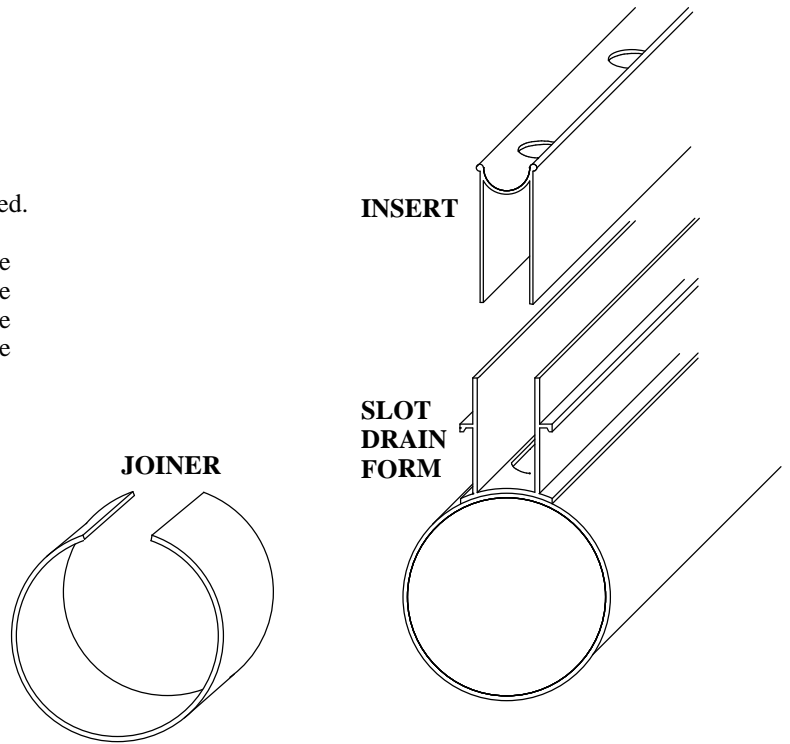
**INSERT** colour beige, UV stable UPVC.  
Drill holes with dowel bit or pre-drilled.

**INTAKE** 10mm holes @ 50mm = 0.7 L/s. metre  
13mm holes @ 50mm = 1.0 L/s. metre  
12mm Open slot = 2.0 L/s. metre  
25mm Open slot = 4.0 L/s. metre

**FULL FLOW** 6 litres per second.

**WHEEL LOAD** = Concrete / Paving strength.

1. Glue joiner around pipes & secure with tie wire.
2. Use standard 90mm pipe fittings for bends etc.
3. Provide access to drain pipe for cleaning.
4. Allow 5mm expansion gap, between Inserts.
5. Secure drain, or it will float & move when concreting.
6. Lay pavers hard up against Insert, on mortar bed.
7. Finish concrete/paving 2mm above Insert.



FIRM GROUND

