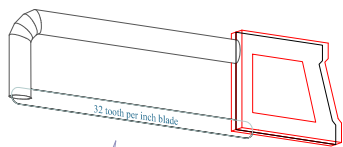
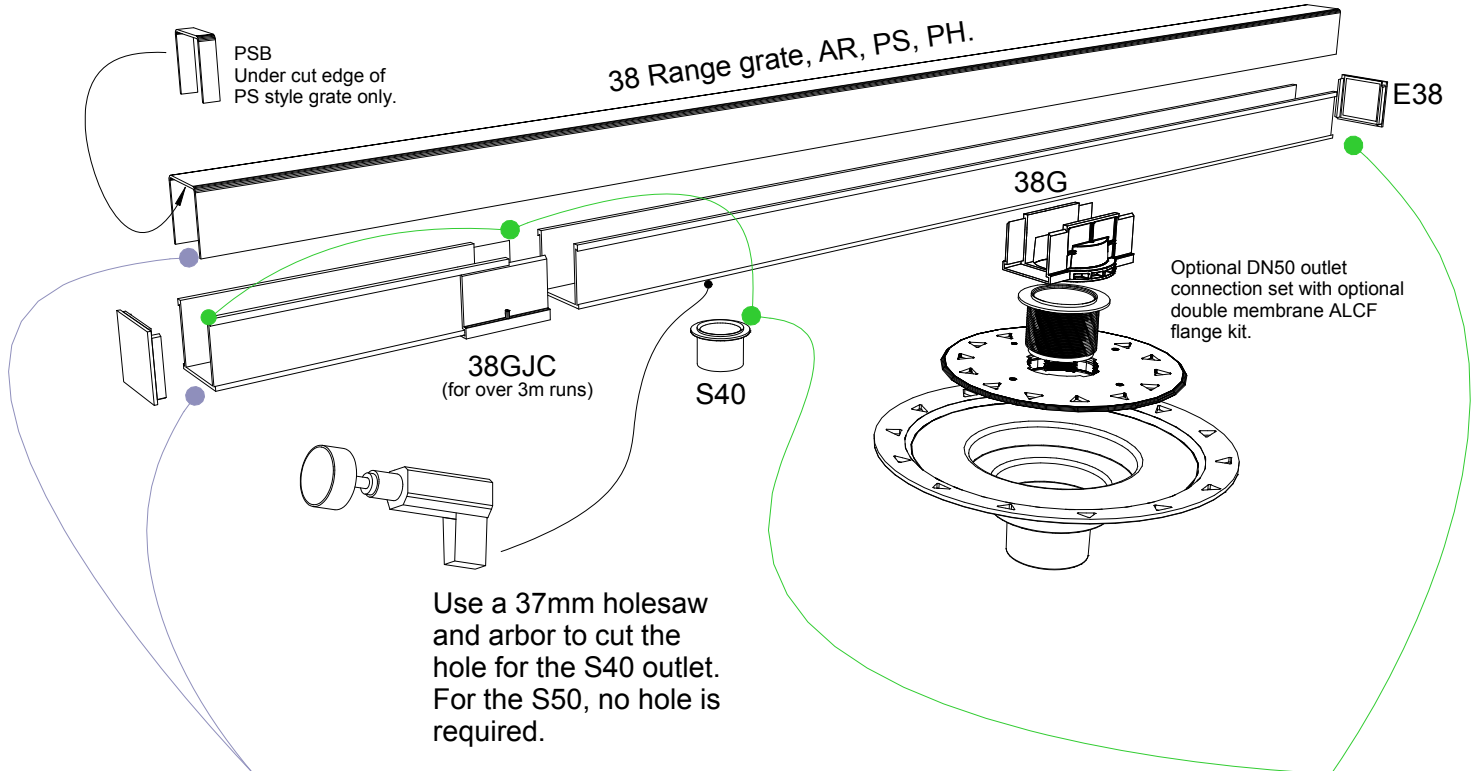


38G40 Assembly

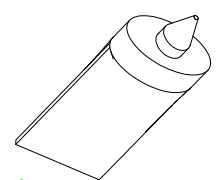


Assembly instruction for:
 38ARG40
 38PSG40
 38PHG40

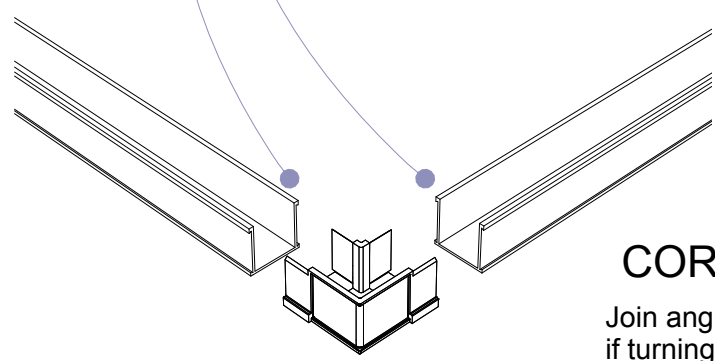


Use a hacksaw with 32TPI blade to cut both stainless grate and PVC channel.

NOTE, CUT the GRATE AFTER the CHANNEL is ASSEMBLED to ensure the grate fits correctly. The GRATE will be SHORTER to fit INSIDE the channel.



PVC solvent cement the parts together. Use type N clear with clear primer.



CORNERS...

Join angles as shown if turning channel around a 90 degree corner.

