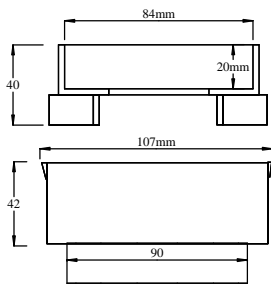
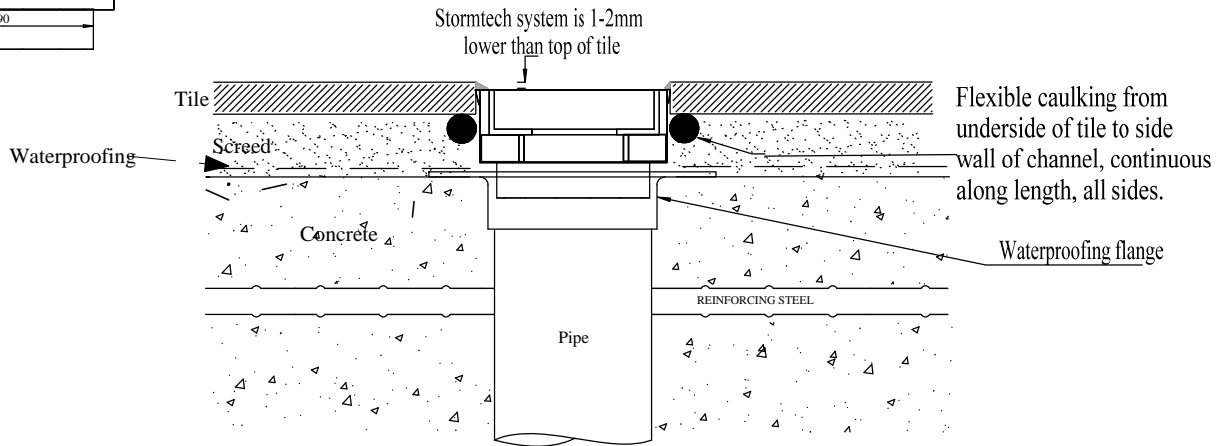


100TIF CONCRETE FLOOR/DECK

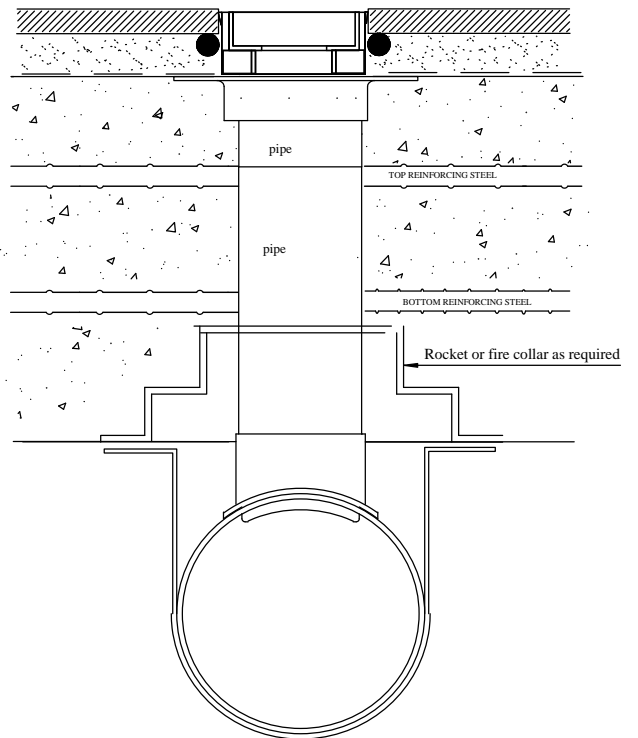
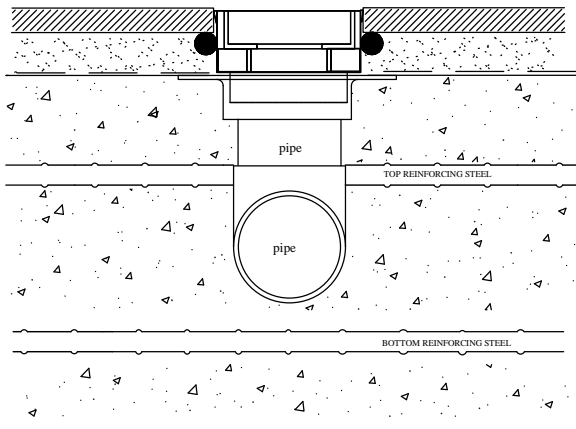
Standard installation



Slab on ground.



Suspended Slab



The spigot fits in a 100 DWV pipe and should drain 1.0 L/s..... We recommend these Spigots every 2m.. not more than 1.0m from end.
 The loose fitting Spigots provide an outlet for moisture in the waterproof rebate and allows the Channel to be removed for safe keeping until tiling.