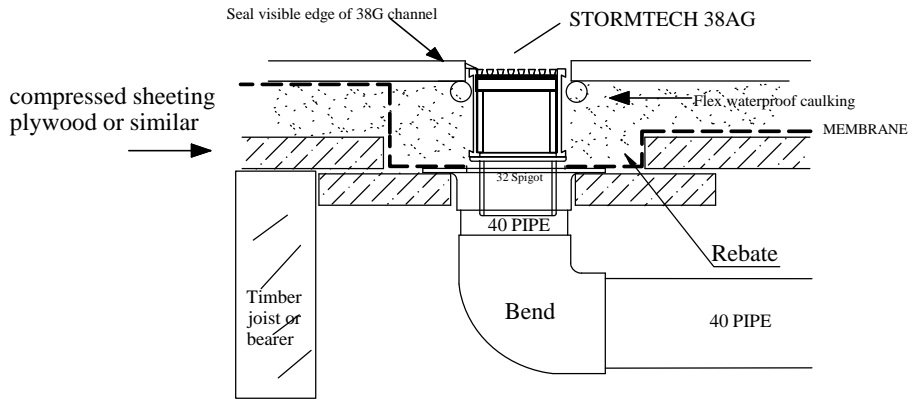


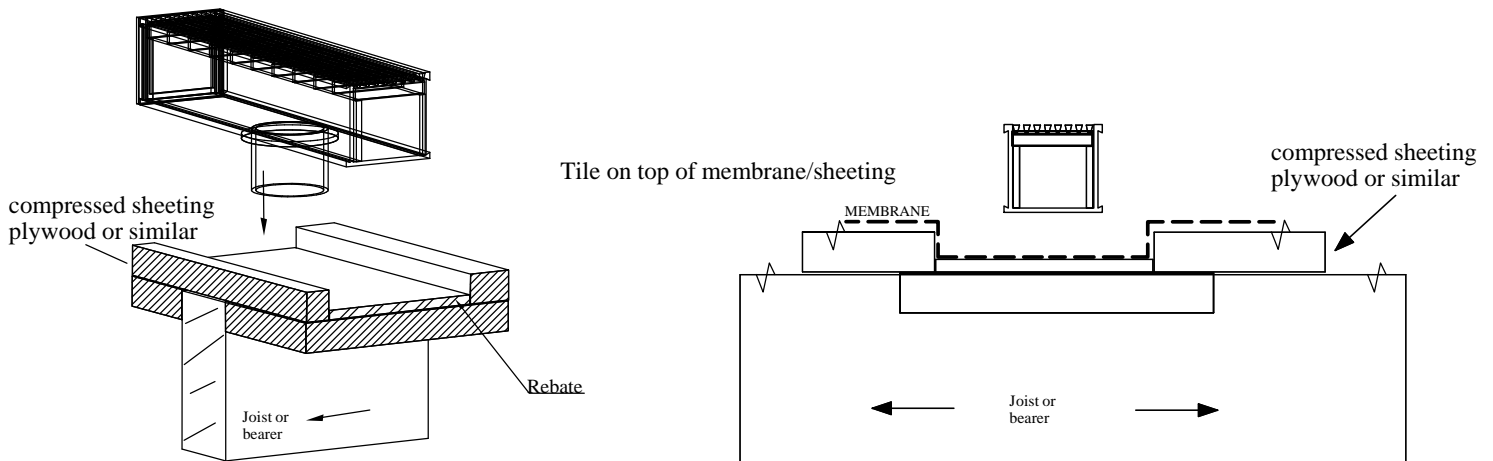
38AG TIMBER FLOOR/DECK Standard installation

When 38AG is running parrallel to joist/bearer



Provide access to drain pipes for cleaning

When 38AG is running perpendicular to joist/bearer



NOTE if waterproofing is required the rebate must be waterproofed before laying the 38AG system.

An F32 spigot fits in a 40 DWV pipe and should drain 0.5 L/s..... We recommend these Spigots every 1m.. not more than 0.5m from end. The loose fitting Spigots provide an outlet for moisture in the waterproof rebate and allows the Channel to be removed for safe keeping until tiling.