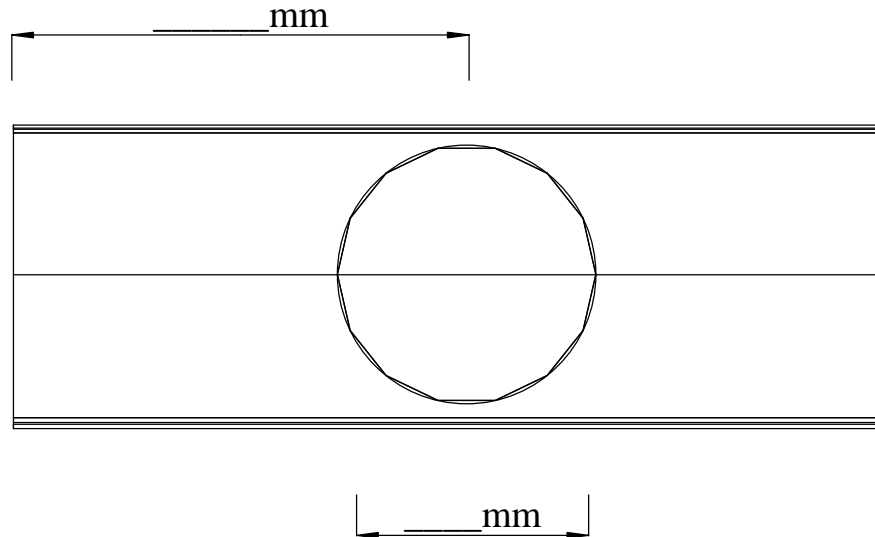
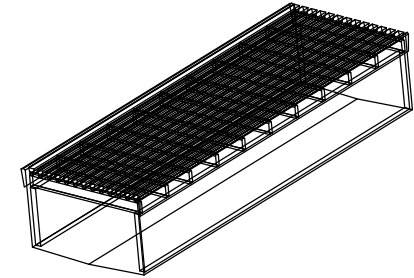
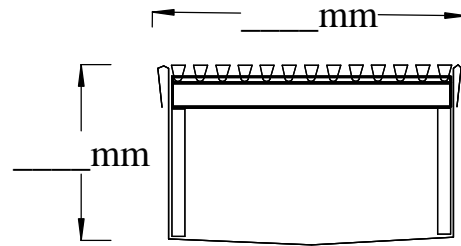


REF	Date
Revision	Date

Custom grate & tray layout



Load class A B C D, (please circle)  
 All material 316 304 grade stainless steel (please circle)

Contact details:

Customer Signature \_\_\_\_\_  
 \_\_\_\_\_ date \_\_\_\_\_