

65TiTDi Threshold Drainage

Product Description

The 65TiTDi features a concealed channel section connecting sill and sub-sill for door tracks and thresholds. It is completed with a premium tile insert drain.

Allows door sills to be drained while having internal and external floor surfaces with no step down.

Manufactured from 316 marine grade stainless steel to specific lengths.

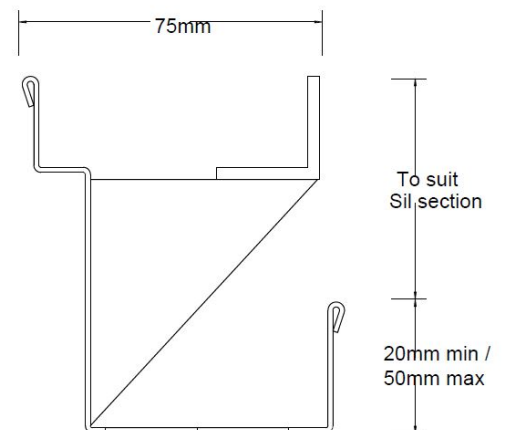
Suits tiles up to 12mm thick



Applications

- Balcony
- Courtyard / Patio
- Special needs
- Suspended slab
- Wet Area Drainage

Specifications



	Width	Depth	Length	Outlet size
Unit	75mm	Subject to Sill Height	As required	DN32 DN40 DN50

