



# Threshold drain - Premium for Sub Sil and Sil

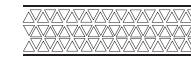
## Order Form




Grates


 Architectural (AR)

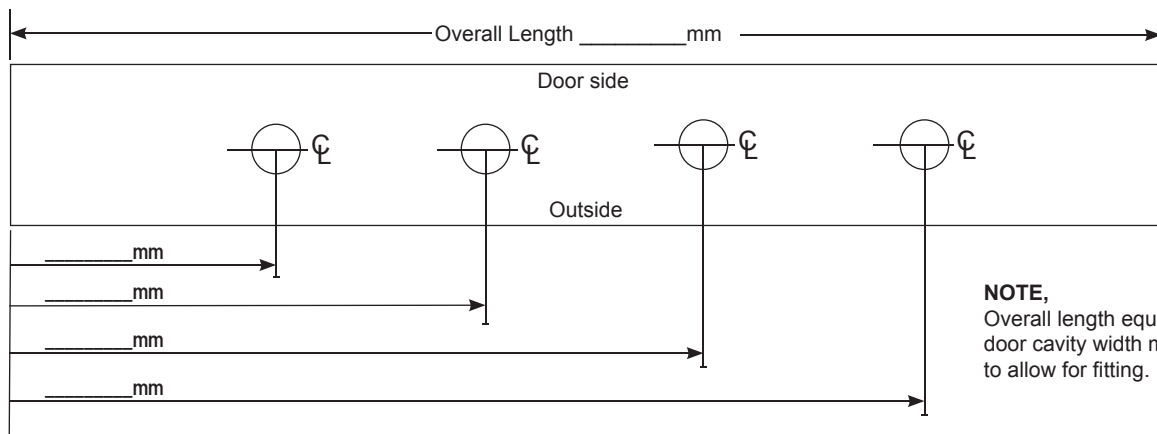
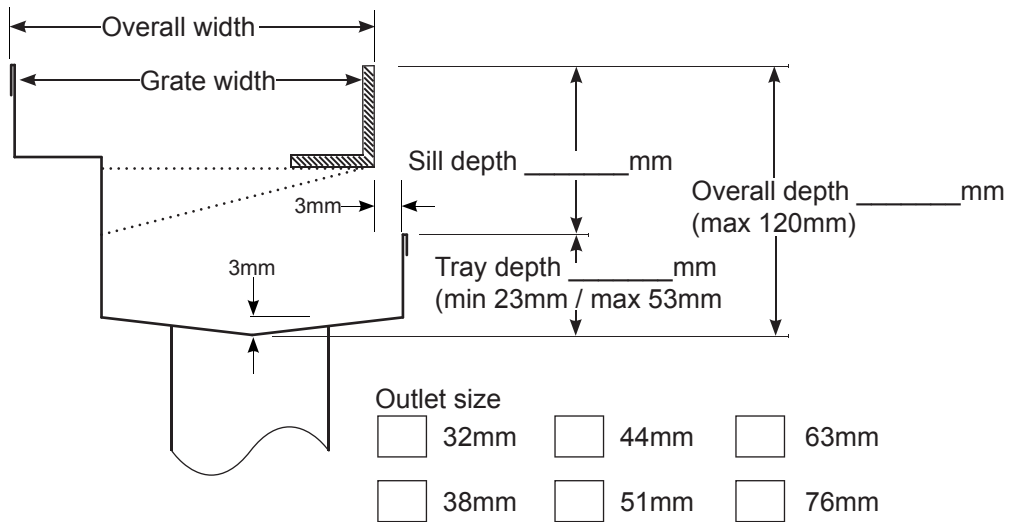

 Punched Slot (PS)


 Marc Newson (MND)

Tile Insert


 Ti

- |  |                                      |                       |
|--|--------------------------------------|-----------------------|
| <input type="checkbox"/> 65mm Tile Insert  | <input type="checkbox"/> 65mm Grate  | Overall width = 74mm  |
| <input type="checkbox"/> 100mm Tile Insert | <input type="checkbox"/> 100mm Grate | Overall width = 109mm |



**NOTE,**  
Overall length equals door cavity width minus 4mm to allow for fitting.

Name	Email	
<input type="text"/>	<input type="text"/>	
Customer name/job	Branch	S/tech quote #
<input type="text"/>	<input type="text"/>	<input type="text"/>
Order number	Signature & date	
<input type="text"/>	<input type="text"/>	

Fax to 02 44235552 or email to [info@stormtech.com.au](mailto:info@stormtech.com.au)

