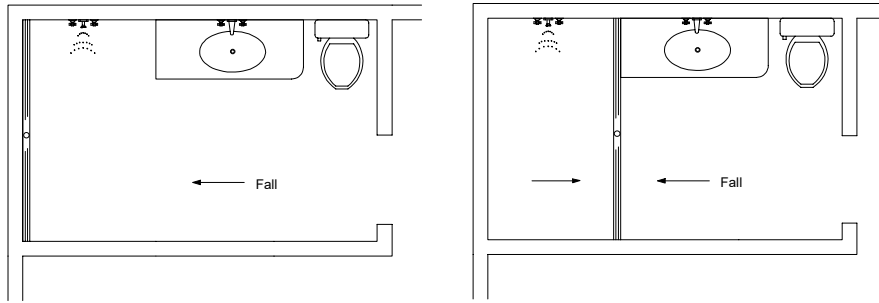
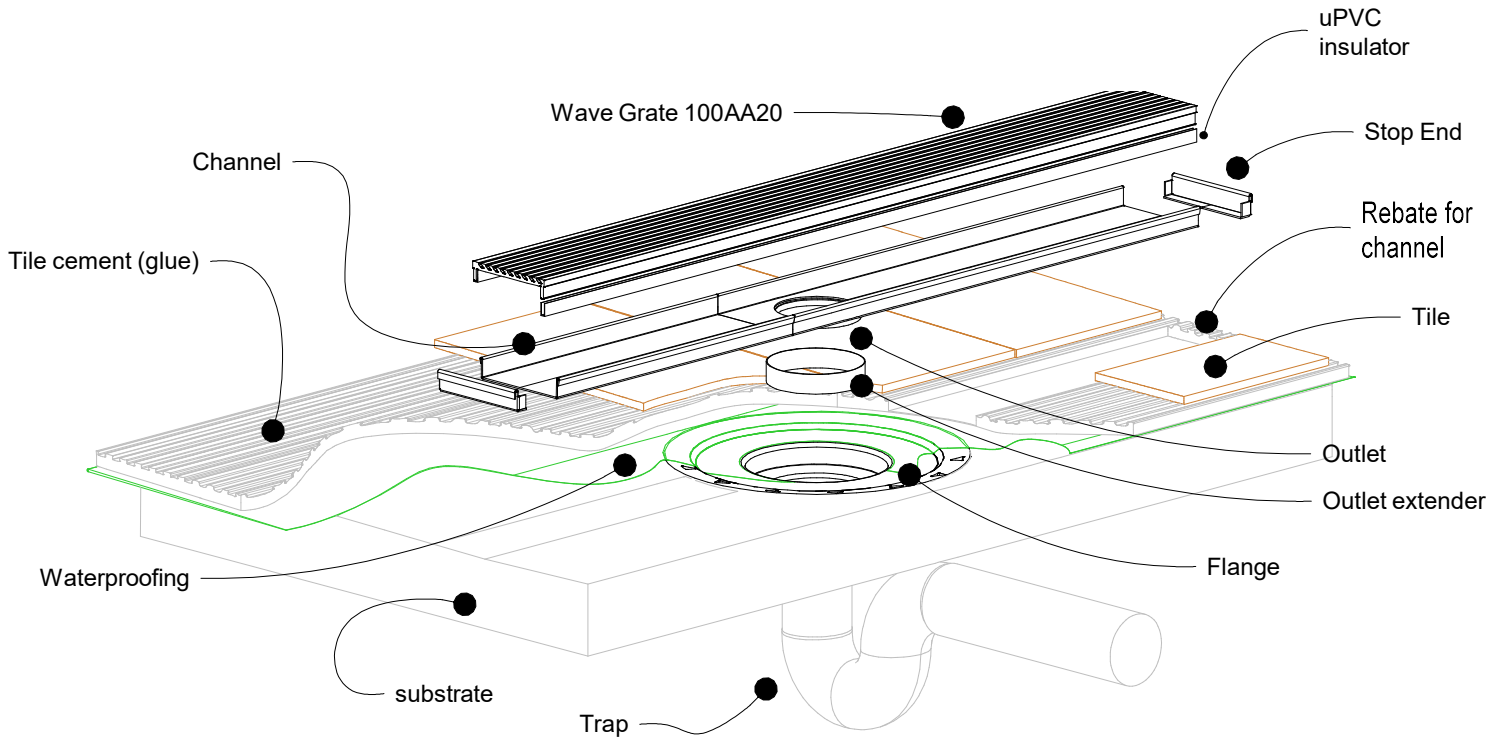


# 100AAi20 Bathroom

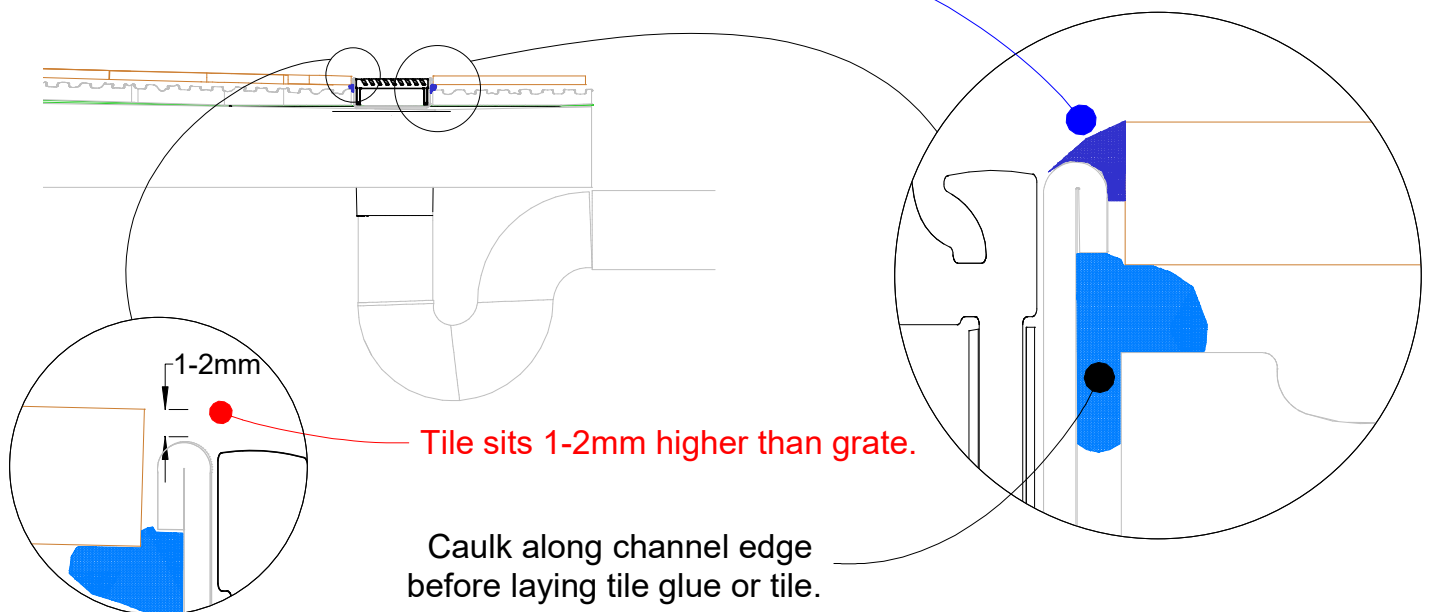


NOTE, refer to AS3500 for specific outlet pipe sizes related to your specific installation.



NOTE, this method requires the channel system to be ABOVE and SEPARATE from the WATERPROOFING.

Caulk over channel edge to tile.



Tile sits 1-2mm higher than grate.

Caulk along channel edge before laying tile glue or tile.