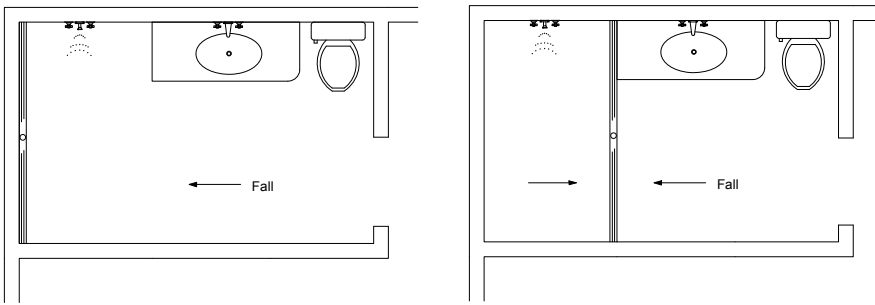


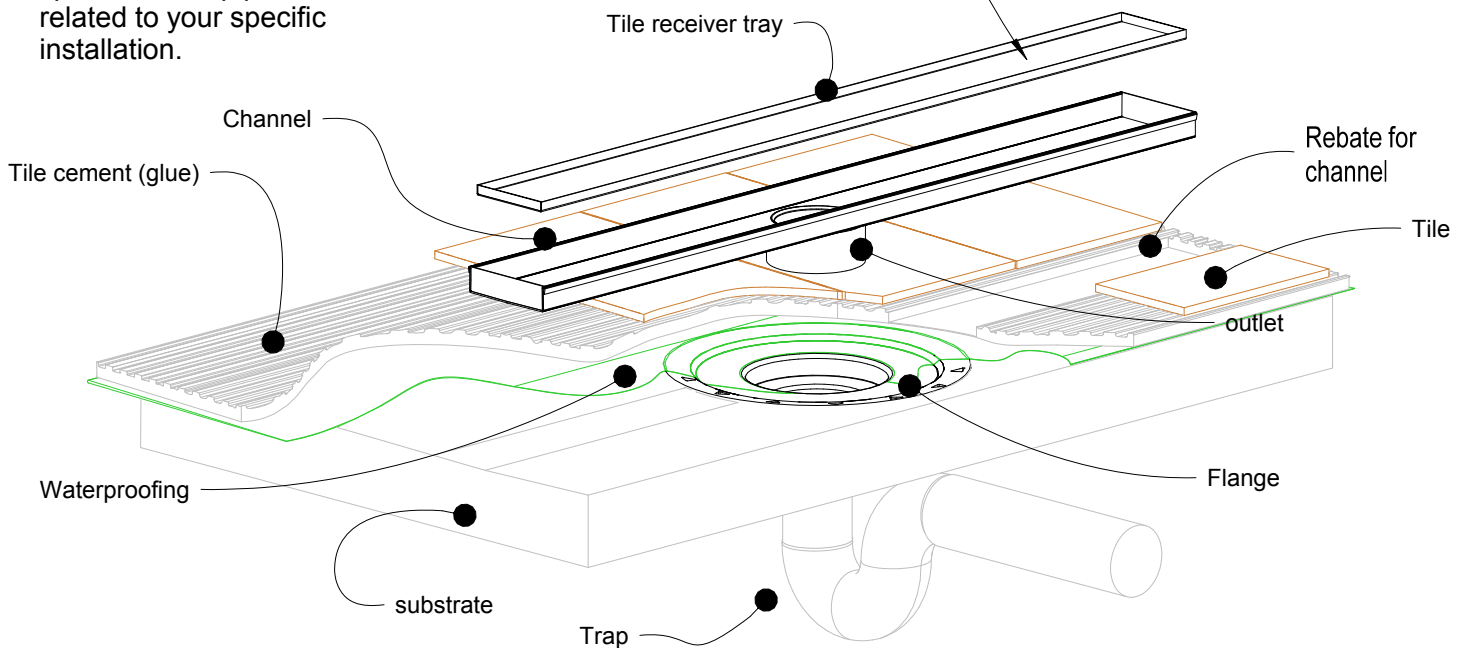
100Tii Bathroom

For 100Tii20CO, 100Tii20MTL, 100Tii30MTL, 100TiiCo30,
100TRTii25MTL, 100TRTiiCO25, 100Tii40MTL.



NOTE, refer to AS3500 for specific outlet pipe sizes related to your specific installation.

Cut tile to width and fix into tile receiver tray. To ensure no metal contamination causes spalling below the tile. It is recommended to use a paint-on waterproof membrane on the interior of the tile receiver tray before tiling to ensure no contaminants are trapped below tile tile against the stainless.



NOTE, this method requires the channel system to be ABOVE and SEPARATE from the WATERPROOFING.

