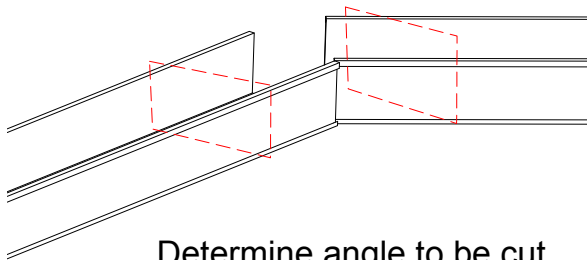


100G20 Off-Set corners



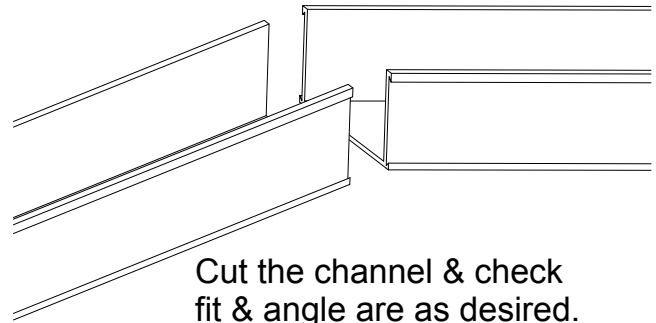
When assembling channel for corners other than 90 degrees, the following fittings and method is suggested.

1



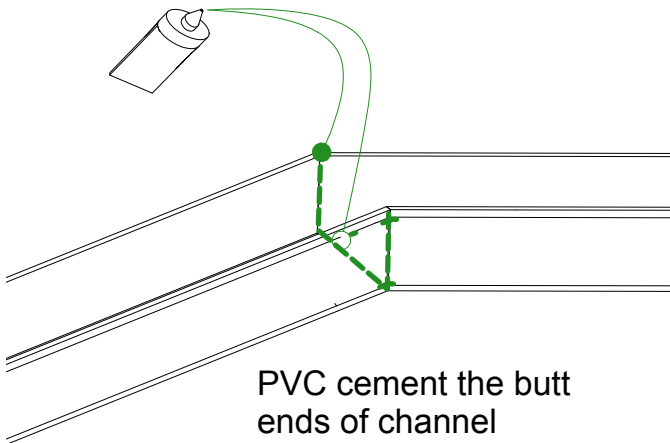
Determine angle to be cut

2



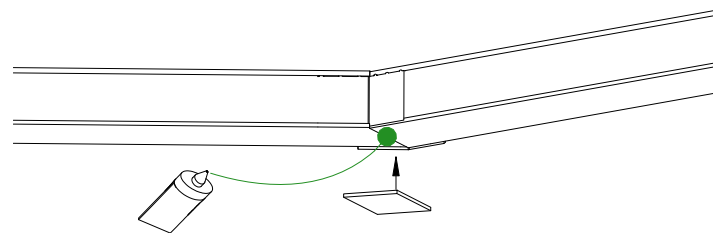
Cut the channel & check fit & angle are as desired.

3



PVC cement the butt ends of channel together.

4



Fix an off-cut of channel to underside to brace joint. Seal with adhesive sealant if joint is uneven.