

65G100 / 65G90 Corners other than 90 degrees



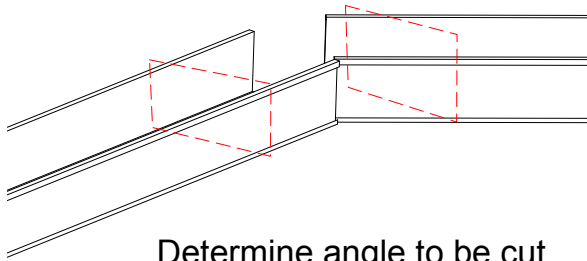
Pipe

The pipe joins with standard pipe fittings. There are no 'bell' ends, all ends are straight.

Channel

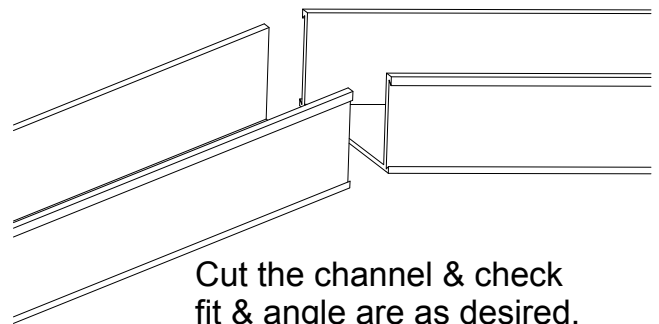
When assembling channel for corners other than 90 degrees, the following fittings and method is suggested.

1



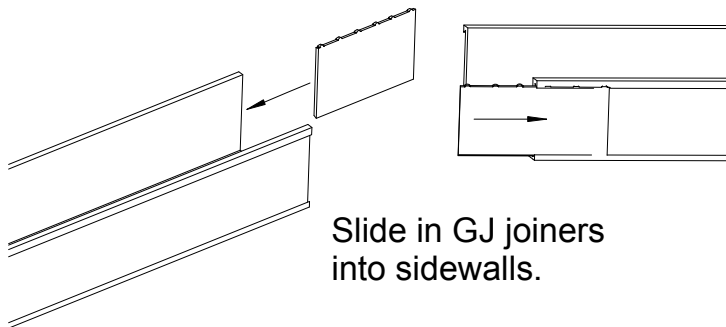
Determine angle to be cut

2



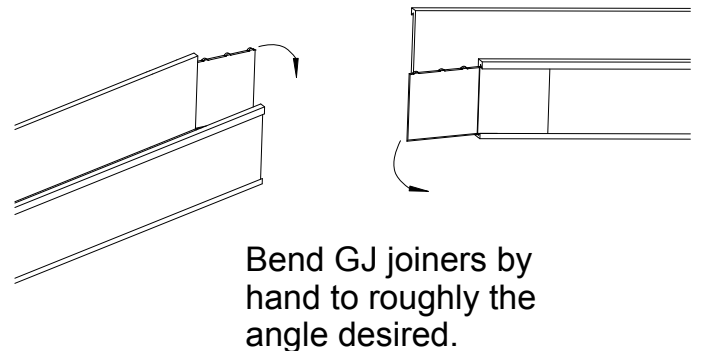
Cut the channel & check fit & angle are as desired.

3



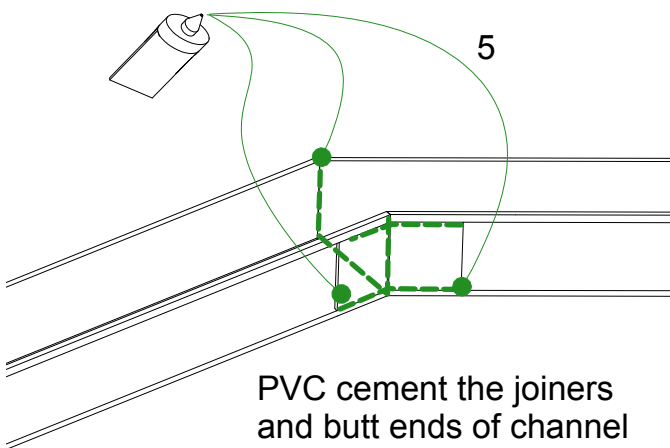
Slide in GJ joiners into sidewalls.

4



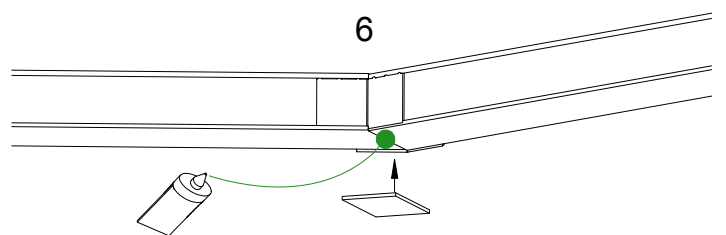
Bend GJ joiners by hand to roughly the angle desired.

5



PVC cement the joiners and butt ends of channel together.

6



Fix an off-cut of channel to underside to brace join. Seal with adhesive sealant if join is uneven.

