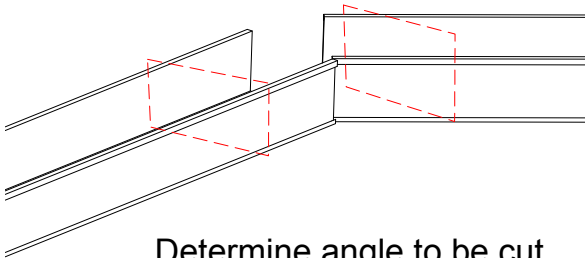


65G40 Off-Set Corners



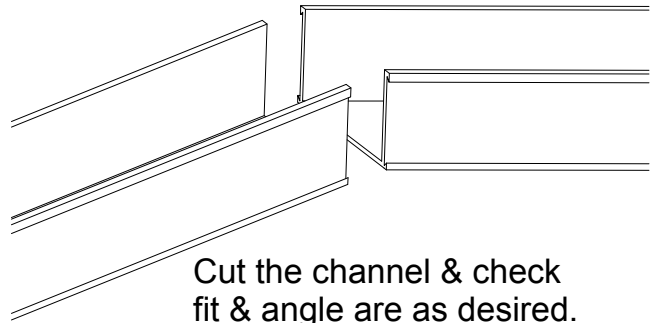
When assembling channel for corners other than 90 degrees, the following fittings and method is suggested.

1



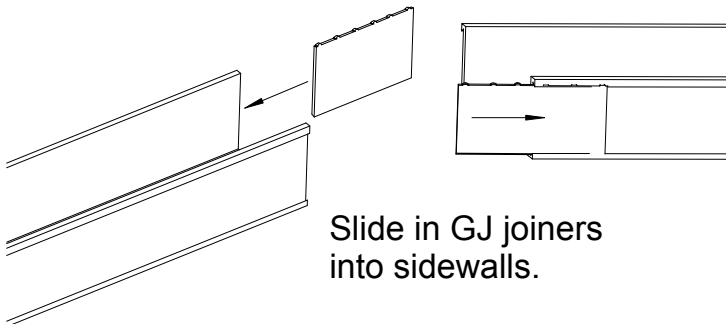
Determine angle to be cut

2



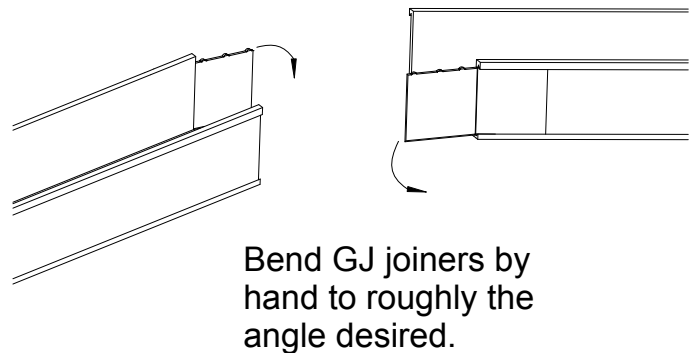
Cut the channel & check fit & angle are as desired.

3



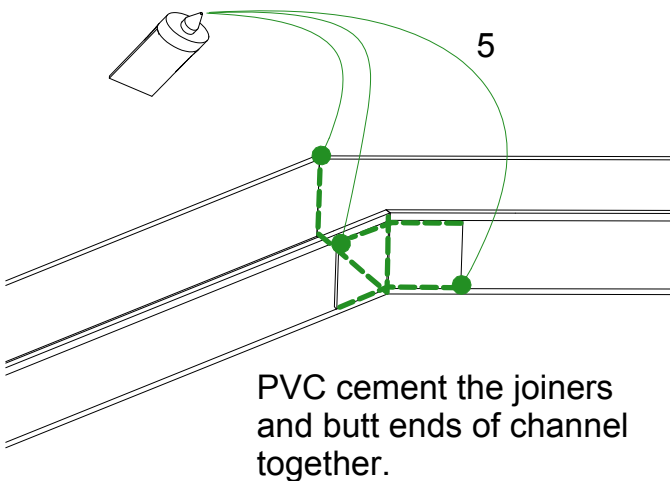
Slide in GJ joiners into sidewalls.

4



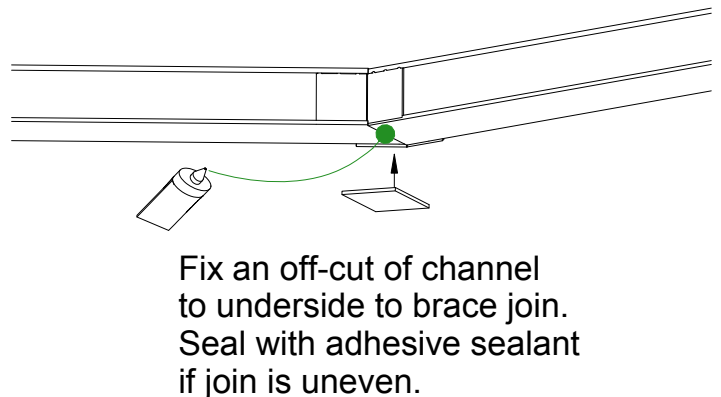
Bend GJ joiners by hand to roughly the angle desired.

5



PVC cement the joiners and butt ends of channel together.

6



Fix an off-cut of channel to underside to brace joint. Seal with adhesive sealant if joint is uneven.

