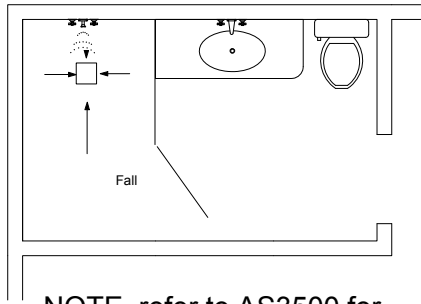
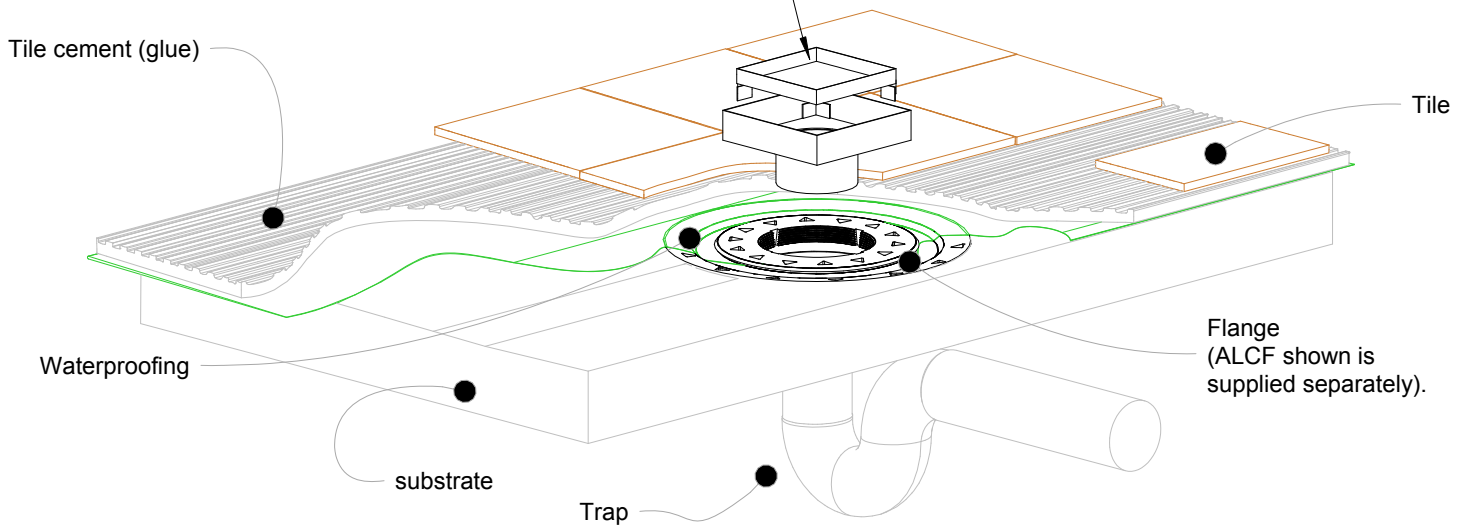


SQ100Ti Bathroom



NOTE, refer to AS3500 for specific outlet pipe sizes related to your specific installation.

Cut tile to width and fix into tray. To ensure no metal contamination causes spalling below the tile. It is recommended to use a paint-on waterproof membrane on the interior of the tile insert tray before tiling to ensure no contaminants are trapped below against the stainless.



NOTE, this method requires the channel system to be above and separate from the waterproofing

